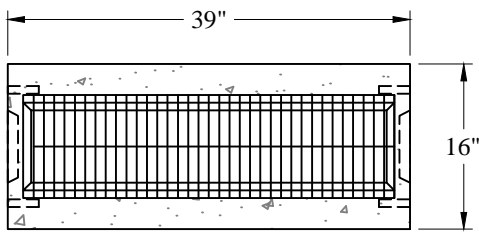


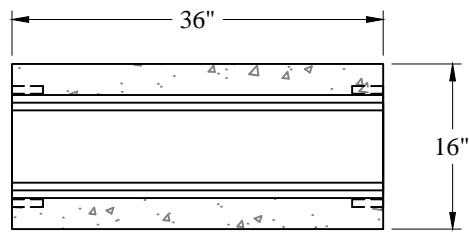
1-800-639-2199

Fax (603) 224-2927

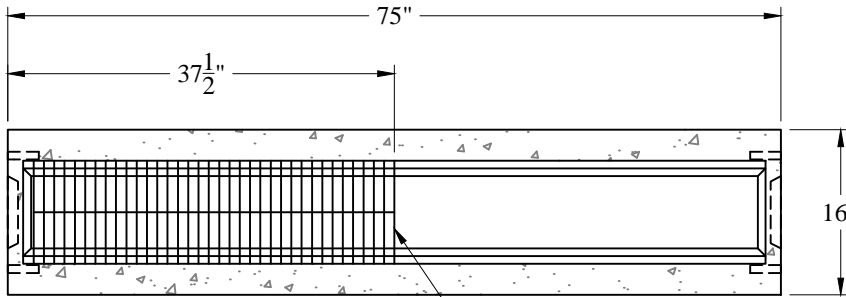
Trench Drains\3ft And 6ft Residential Trench Drain_(v)_Rev3



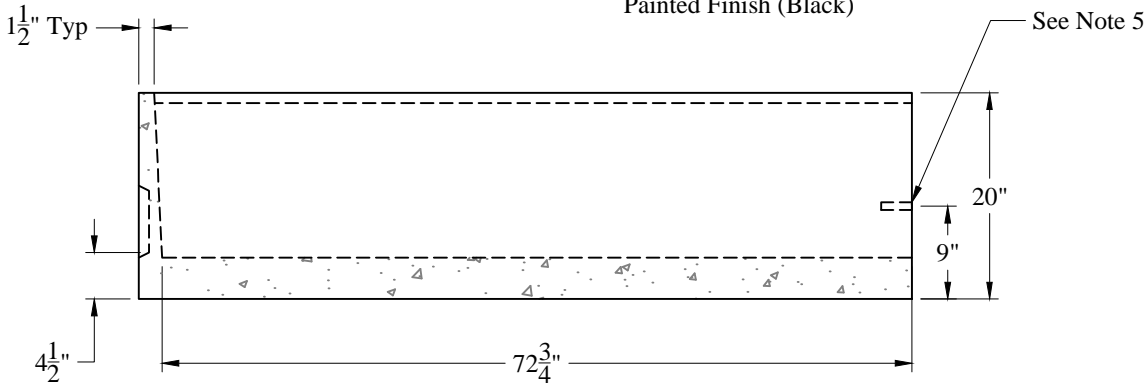
Both Ends Closed



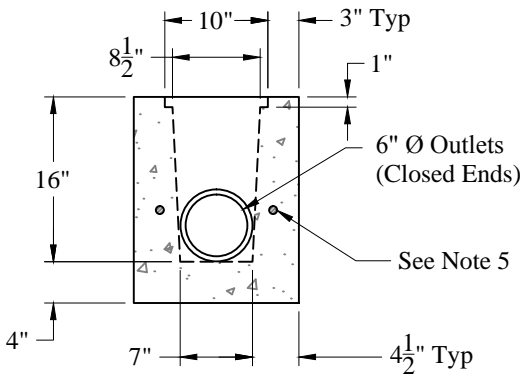
Both Ends Open



9 1/2" x 3' Bar Grating
Painted Finish (Black)



One End Closed / One End Open



Style	Length	P/N:
3' O/O	36"	TD-3O
3' O/C	37.5"	TD-3OC
3' C/C	39"	TD-3C
6' O/O	72"	TD-6O
6' O/C	73.5"	TD-6OC
6' C/C	75"	TD-6C

Est Weight: 215 Lbs/LF

General Notes

1. Reinforcing Steel ASTM A-615 Grade 60
2. Concrete: $f_c = 4,000$ psi @ 28 Days Minimum
3. Design Loading: AASHTO-HS20-44
4. Available In 3' and 6' Sections
5. Connect With $\frac{3}{4}$ " x $5\frac{1}{2}$ " Round Steel Bar Pins
6. Available in:
 - Both ends Closed (C/C)
 - Both Ends Open (O/O)
 - One End Open/Other End Closed (O/C)

Phoenix
Precast
Products

20" Trench
Drain

Phoenix Precast Products

Phoenix Precast Products